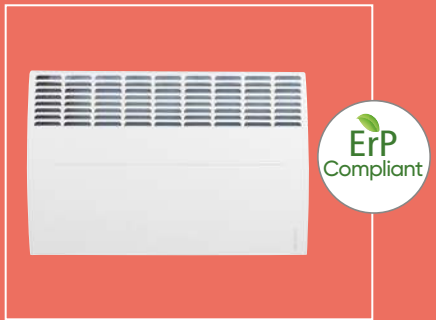


F125 Design

ACTIVE HEAT CONVECTOR WITH SIMPLIFIED PROGRAMMING
AND 8-HOUR TIMER



+ PRODUCT

COMFORT

- Simplified programming & timer up to 8 hours for greater comfort
- Fast heating thanks to an efficient heat distribution on the appliance surface
- Sheathed heating element with an aluminium diffuser
- Class II and IP 24 protection with dual electric insulation for ultimate safety
- Automatic overheating safety device

SAVINGS

- Up to 25% energy savings*
- Open window detection function switching to Anti-frost mode as soon as a window opens
- High-precision electronic thermostat
- ErP-compliant

USER-FRIENDLINESS

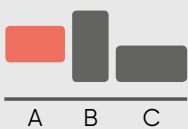
- Ergonomic digital controls
- Modes: Manual/Prog/Timer
- Easy to install: H-shaped vertical support
- Mobile with plug and standing kit (optional)

DESIGN

- High-end modern design
- Stamped front air outlet
- Colour: White (RAL 9016)

ACTIVE HEAT CONVECTOR

500 TO 2500 W



Model available**



Energy savings



Digital controls

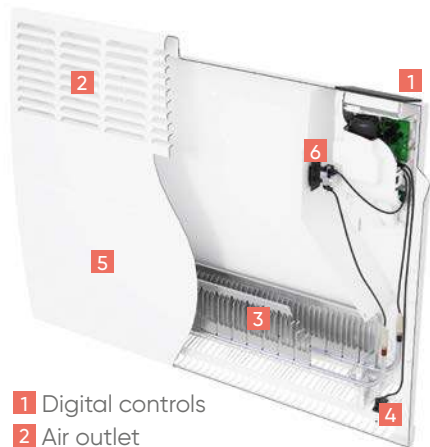


Technology



Heating element type

F125 Design



- 1 Digital controls
- 2 Air outlet
- 3 Sheathed heating element with aluminium diffuser
- 4 Room temperature sensor
- 5 Front panel
- 6 Overheating safety device



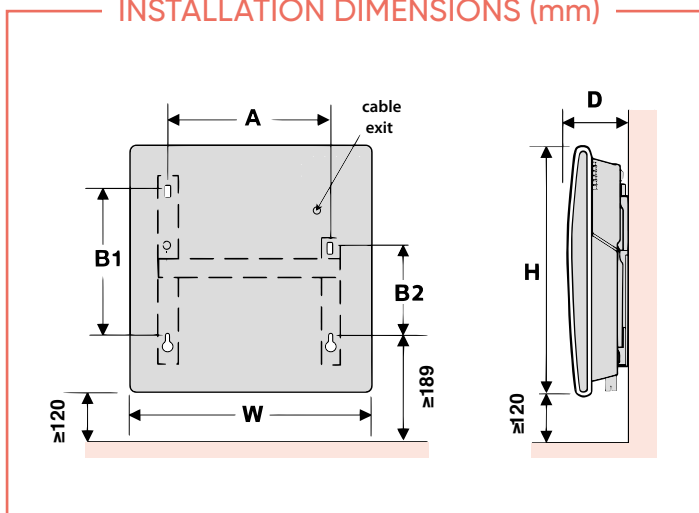
- 1 Set temperature display
- 2 Active mode display
- 3 Mode selection button
- 4 Temperature and mode-setting buttons



SIMPLIFIED PROGRAMMING

- **Manual mode:** Allows to set up the device at the desired temperature from 7°C to 30°C.
- **Prog mode:** Allows to set up predefined programs by day (24 h) over 7 days. Possibility to copy a daily programme on other days of the week.
- **Timer mode:** Allows to set a Comfort temperature for 1 to 8 hours

INSTALLATION DIMENSIONS (mm)



TECHNICAL DATA

OUTPUT (W)	DIMENSIONS (mm)						NET WEIGHT (kg)
	WIDTH (W)	HEIGHT (H)	DEPTH (D)	A	B1	B2	
500	391	461	114	122	256	158	3.1
1000	465	461	114	196	256	158	3.7
1500	613	461	114	344	256	158	4.6
2000	761	461	114	492	256	158	5.5
2500	909	461	114	640	256	158	6.2

CE Classe II IP 24