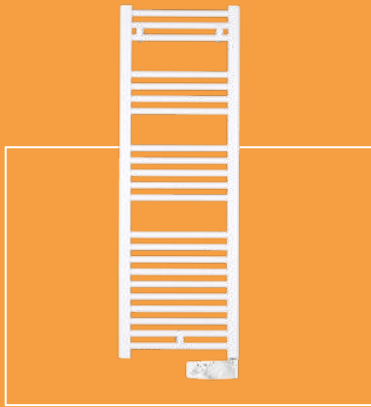


2012

SLIM TOWEL DRYER ADAPTED TO CONFINED SPACES



+ PRODUCT

COMFORT

- Towel dryer with large rails for quick drying of towels and clothes
- Available models: Narrow and standard
- Heat-conducting fluid

SAVINGS

- Digital thermostat
- 6-setting mode pilot wire: Comfort, Comfort -1°C, Comfort -2°C, Economy, Anti-frost, Stop

USER-FRIENDLINESS

- Mode & temperature-setting control knobs
- Boost function

DESIGN

- Elegant slim design adapted to narrow spaces
- Available widths: 400, 480, 500, 550 mm
- Colour: White (RAL 9016), Anthracite (RAL 7016) and Chrome

TOWEL DRYER

300 TO 500 W
(NARROW)

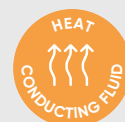
500 TO 1000 W
(STANDARD)



Model available*



Control knobs



Heating element type

*Model types: A: Standard / B: Narrow / C: Standard with fan / D: Narrow with fan

2012

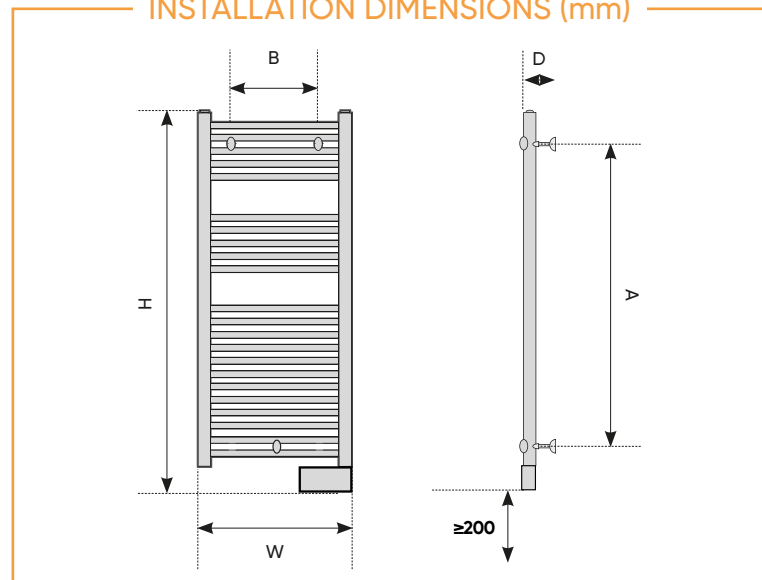


- 1 Towel rails
- 2 Overheating safety device
- 3 Heating element
- 4 Room temperature sensor
- 5 Mode & temperature-setting control knobs
- 6 Heat-conducting fluid
- 7 Vertical collectors



- 1 Heating light indicator
- 2 Booster light and locking info
- 3 Mode setting control knob
- 4 Temperature control knob

INSTALLATION DIMENSIONS (mm)



TECHNICAL DATA

OUTPUT (W)	DIMENSIONS (mm)					NET WEIGHT (kg)
	WIDTH (W)	HEIGHT (H)	DEPTH (D)	A	B	
2012 narrow white						
300	400	798	100	574	270	7
500	400	1248	100	1025	270	12
2012 standard white						
500	480	998	100	779	350	9
750	480	1453	100	1230	350	15
1000	550	1781	100	1599	400	20
2012 standard chrome						
300	500	920	100	697	370	11
500	480	1453	100	1230	350	15
2012 narrow anthracite						
300	400	798	100	574	270	7
500	400	1248	100	1025	270	12